

## Directorate of Government Examination Chennai - 6

Higher Secondary First Year Public Exam March – 2023

Computer Application Answer Key (New Syllabus)

Maximum Marks :70

15 X 1 = 15

**PART - I**Answer **all** the Questions.

Choose the most appropriate answer from the given <b>four</b> alternatives and write the <b>option code and corresponding answer</b>		
1	(b) Warm booting	1
2	(d) 11011001	1
3	(a) Pits	1
4	(c) Compiler Environment	1
5	(b) F2	1
6	(a) Ctrl + Z	1
7	(d) All the above	1
8	(a) .odb	1
9	(a) Dongles	1
10	(d)  	1
11	(d) Nested List	1
12	(d) <select>	1
13	(b) Sitewide Style Sheets	1
14	(b) Switch	1
15	(b) Modules	1

**PART – II**Answer **any six** questions. Question no. **24** is **compulsory****6 X 2 = 12**

16	<ul style="list-style-type: none"> <li>Data is defined as an un processed collection of raw facts, suitable for communication, interpretation or processing.</li> <li>Information is a collection of facts from which conclusions may be drawn.</li> </ul>	1 1
17	The Program Counter (PC) is a special register in the CPU which always keeps the address of the next instruction to be executed.	2
18	It is used in computers and laptops that allow same data and applications to be accessed by multiple users at the same time. The users can also communicate with each other.	2
19	Cell pointer is a rectangle box which can be moved around the worksheet.	2
20	A network is a collection of interconnected devices (such as computers, printers, etc.).	2
21	The <strong> tag is a phrase tag. This tag displays the text as bold.	1
	The <em> tag is used to emphasize the text. That means, when you use this tag, the text will be in italics.	1

22	<p>Method 1: (Using the FILE Menu)</p> <ol style="list-style-type: none"> <li>1. Select the File or Folder you wish to Rename.</li> <li>2. Click File → Rename.</li> <li>3. Type in the new name.</li> </ol> <p style="text-align: center;">(or)</p> <p>Method 2: (Using the Right Mouse Button)</p> <ol style="list-style-type: none"> <li>1. Select the file or folder you wish to rename.</li> <li>2. Click the right mouse button over the file or folder.</li> <li>3. Select Rename from the pop-up menu</li> <li>4. Type in the new name.</li> </ol> <p style="text-align: center;">(or)</p> <p>Method 3:</p> <ol style="list-style-type: none"> <li>1. Select the file or folder you wish to rename</li> <li>2. Press F2</li> <li>3. Type in the new name.</li> </ol>	2
23	<marquee> Text or image to be scroll </marquee>	2
24	The simplest method to represent negative binary numbers is called Signed Magnitude.	2

### PART – III

Answer **any six** questions. Question no. **33** is **compulsory**

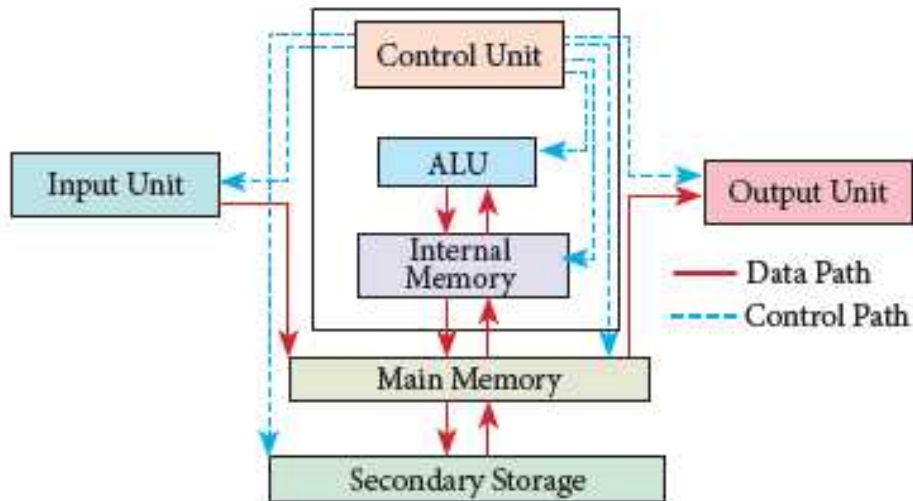
**6 X 3 = 18**

25	<p>Input unit is used to feed any form of data to the computer, which can be stored in the memory unit for further processing.</p> <p>Example: Keyboard, mouse. (or any 2 suitable examples)</p>	2 1
26	<p>Cracking is where someone edits a program source so that the code can be exploited or modified. A cracker (also called a black hat or dark side hacker) is a malicious or criminal hacker. “Cracking” means trying to get into computer systems in order to steal, corrupt, or illegitimately view data.</p>	3
27	<p>User interface is one of the significant features in Operating System. The only way that user can make interaction with a computer. This is a main reason for key success of GUI (Graphical User Interface) based Operating System. The GUI is a Window based system with a pointing device to direct I/O, choose from menus, and make selections and a keyboard to enter text. Its vibrant colour attracts the user very easily.</p>	3
28	<p>Depending on the data width, the microprocessors can be classified as follows:</p> <ul style="list-style-type: none"> <li>• 8-bit microprocessor</li> <li>• 16-bit microprocessor</li> <li>• 32-bit microprocessor</li> <li>• 64-bit microprocessor</li> </ul>	3



**PART- IV**  
Answer **all** Questions

5 X 5 = 25

34  
(a)

2

**Input Unit:** Input unit is used to feed any form of data to the computer, which can be stored in the memory unit for further processing. Example: Keyboard, mouse, etc.

3

**Central Processing Unit:** CPU is the major component which interprets and executes software instructions. It also controls the operation of all other components such as memory, input and output units. The CPU has three components which are Control unit, Arithmetic and logic unit (ALU) and Memory unit.

- The ALU performs arithmetic operations such as addition, subtraction, multiplication, division and logical operations.
- The control unit controls the flow of data between the CPU, memory and I/O devices. It also controls the entire operation of a computer.

**Output Unit:** An Output Unit is any hardware component that conveys information to users in an understandable form. Example: Monitor, Printer etc.

**Memory Unit:** The Memory Unit is of two types which are primary memory and secondary memory. The primary memory is used to temporarily store the programs and data when the instructions are ready to execute. The secondary memory is used to store the data permanently.

OR

(b)

(i)

$$\begin{array}{r}
 2 \quad | \quad 98 \\
 2 \quad | \quad 49 - 0 \\
 2 \quad | \quad 24 - 1 \\
 2 \quad | \quad 12 - 0 \\
 2 \quad | \quad 6 - 0 \\
 2 \quad | \quad 3 - 0 \\
 2 \quad | \quad 1 - 1
 \end{array}$$

$$\begin{array}{r}
 0.46 \times 2 = 0.92 \quad 0 \\
 0.92 \times 2 = 1.84 \quad 1 \\
 0.84 \times 2 = 1.68 \quad 1 \\
 0.68 \times 2 = 1.36 \quad 1 \\
 0.36 \times 2 = 0.7 \quad 0 \\
 0.72 \times 2 = 1.44 \quad 1
 \end{array}$$

2½

Ans = 1100010.011101<sub>2</sub>



## 3. Definition List:

Definition list is different from other two types of list. No bullet or number is provided for the list items. In this list type, the list element has two parts.

- Definition term
- Definition description

Definition list is surrounded within <DL> .....</DL> tags.

Definition term is presented in between <DT> .....</DT> tag and

Definition description should be surrounded within <DD> ..... </DD> tag.

1

37  
(a)

Version	Year	Specific Feature
Windows 1.x	1985	<ul style="list-style-type: none"> <li>• Introduction of GUI in 16-bit. processor</li> <li>• Mouse was introduced as an input device.</li> </ul>
Windows 2.x	1987.	<ul style="list-style-type: none"> <li>• Supports to minimize or maximize windows.</li> <li>• Control panel feature was introduced with various system settings and customizing options.</li> </ul>
Windows 3.x	1992	<ul style="list-style-type: none"> <li>• Introduced the concept of multitasking.</li> <li>• Supported 256 colours which brought a more modern, colourful look to the interface</li> </ul>
Windows 95	1995	<ul style="list-style-type: none"> <li>• Introduced Start button, the taskbar, Windows Explorer and Start menu.</li> <li>• Introduced 32 bit processor and focused more on multitasking</li> </ul>
Windows 98	1998	<ul style="list-style-type: none"> <li>• Integration of the Web browser (Internet Explorer) with the Operating System.</li> <li>• Plug and play feature was introduced</li> </ul>
Windows NT		<ul style="list-style-type: none"> <li>• Designed to act as servers in network.</li> </ul>
Windows Me	2000	<ul style="list-style-type: none"> <li>• It introduced automated system diagnostics and recovery tools</li> </ul>
Windows 2000	2000	<ul style="list-style-type: none"> <li>• Served as an Operating System for business desktop and laptop systems.</li> <li>• Four versions of Windows 2000 were released: Professional , Server , Advanced Server and Data Centre Server</li> </ul>
Windows XP	2001	<ul style="list-style-type: none"> <li>• Introduced 64-bit Processor.</li> <li>• Improved Windows appearance with themes and offered a stable version.</li> </ul>
Windows Vista	2006	<ul style="list-style-type: none"> <li>• Updated the look and feel of Windows</li> </ul>
Windows 7	2009	<ul style="list-style-type: none"> <li>• Booting time was improved, introduced new user interfaces like Aero Peek, pinning</li> </ul>

5



			programs to taskbar, handwriting recognition etc. and Internet Explorer 8.
Windows 8	2012	<ul style="list-style-type: none"> <li>Windows 8 is faster than previous versions of Windows, Start button was removed.</li> <li>Served as common platform for mobile and computer.</li> </ul>	
Windows 10	2015	<ul style="list-style-type: none"> <li>Start Button was added again, Multiple desktop.</li> </ul>	

OR

(b) Relational operators are also called as Comparison operators, they compares two values and the result is true or false..

Relational (Comparison) Operator	Meaning	Example	Result
Assume x=10 and y=20			
==	Equality	x==y	False
!=	In-equality	x!=y	True
<	Less-than	x<y	True
>	Greater-than	x>y	False
<=	Less-than or equal to	x<=y	True
>=	Greater-than or equal to	x>=y	False

38 (a) The for loop is a very rigid structure that loops for a pre-set number of times.

The syntax of the for loop looks like the following:  
 for (initialization; condition; increment / decrement)  
 {  
   Body of the loop;  
 }

The for structure within parenthesis there are three parts each separated by semicolon. They are,

- The first part of the loop initializes a variable which is also called as control variable. In most case the control variable is declared as well as initialized.
- The second part is the conditional statement that determines how many times the loop will be iterated.
- The third and final part determines how the value of control variable is changed (Incremented/Decrement)

**(Any one suitable example)**

OR

(b)	(Explain any Five) <ol style="list-style-type: none"><li>1. Internet telephony</li><li>2. Job search</li><li>3. Online Shopping</li><li>4. Stock market updates</li><li>5. Travel</li><li>6. Research</li><li>7. Video conferencing</li><li>8. e-commerce</li><li>9. Online payments</li><li>10. Social Networking</li><li>11. Voicemail</li><li>12. Chatting</li><li>13. e-banking</li><li>14. e-learning</li><li>15. e-governance</li></ol>	5
-----	--	---

[www.Padasalai.Net](http://www.Padasalai.Net)